



D-Series PATCH FITTINGS

Patch Fittings for
Tempered Glass
Assemblies

Smart access means Dorma and Kaba Joining Forces



Access Solutions Segments



Master Key Systems

Optimal security with flexible allocation of access rights – for the best possible control, low costs and greater convenience



Door Hardware

Long-life, attractive door technology solutions – for greater on-site convenience, easy assembly and reliable functionality from a single source.



Interior Glass Systems

High-quality system solutions made from glass – for a wide range of everyday and office applications.



Entrance Systems

Automated access solutions – for convenient, automated building access.



Lodging Systems

Hotel locks and locking systems as well as access management solutions for holiday homes – for reliable yet convenient and efficient protection of all kinds of property.



Safe Locks

Security locks – for optimal protection of goods, valuables, information or hazardous substances against unauthorized access.



Electronic Access & Data

Electronic access control and workforce management – for efficient access management, security and data collection.



Services

Tailor-made services and customized maintenance – for the long-term functional integrity of all types of access and security solutions.

Two strong global brands – Dorma and Kaba – have combined forces and are now offering you a comprehensive portfolio of smart & secure access solutions, all from one, reliable source.

Our door product portfolio includes everything from locks and keys to a fully networked electronic access solution, and everything from door closers and automatic doors to a mobile partition system.

Other Segments



Key Systems

Key blanks and key-cutting machines as well as automotive solutions ranging from vehicle keys up to programming devices – for every access situation.



Movable Walls

Flexible, efficient partition wall solutions – for individual space configuration in hotels, conference centers, studios and other venues.

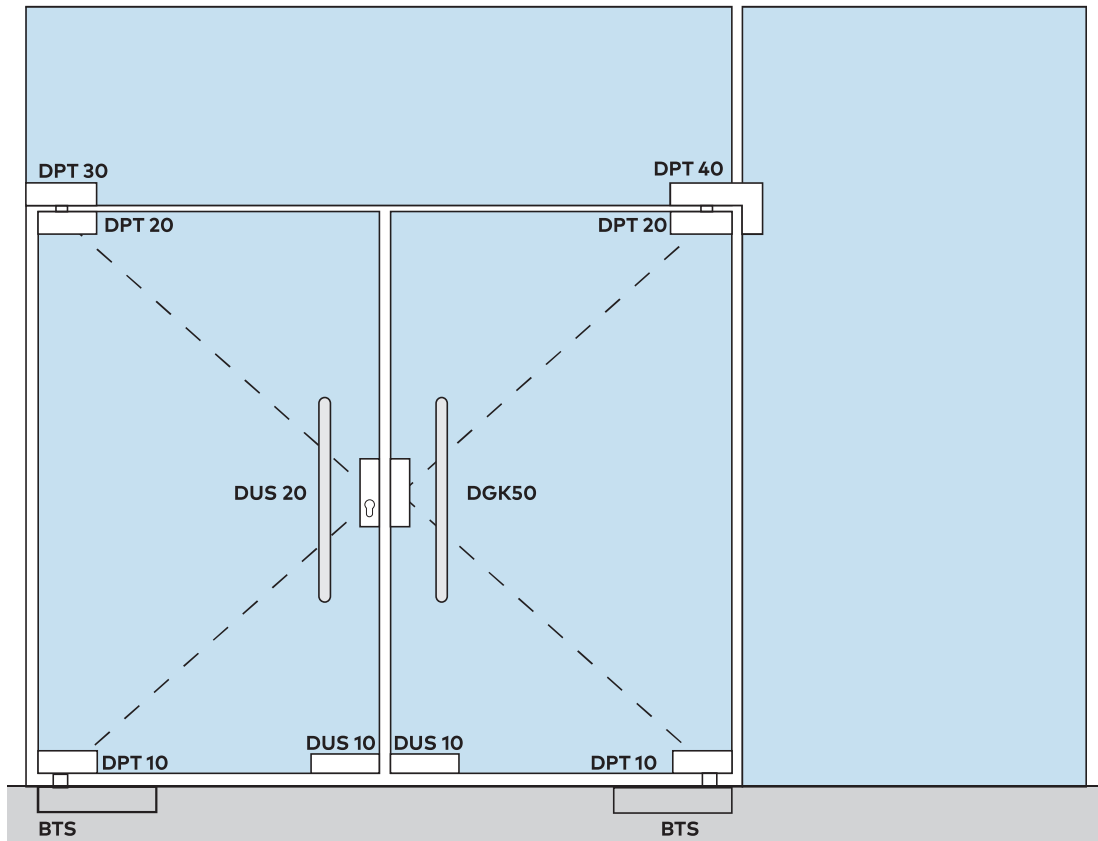
D-Series PATCH FITTINGS

For tempered glass assemblies

The DORMA-Glass range of fittings has matured into one of the most comprehensive available today. It offers ideal options for creating all standard toughened glass assemblies in a manner which is technically sound and visually attractive. This gives the designer a wide variety of options for individual expression with toughened glass—either internally or externally.

All DORMA fittings are based on a modular system, consisting of a base unit, functional inserts, and clip-on covers in stainless steel finishes. The glass preparations that are needed can be performed quickly and easily. Quality materials and thorough workmanship guarantee a long service life and a reflection of excellence for years to come.

D-Series Patch Fittings



DPT = Center hung door fittings
 DUS = Locks
 DGK = Strike Box
 PSS – Polished Stainless Steel.
 SSS – Satin stainless Steel.

Maximum door weight & width for D series patch fittings

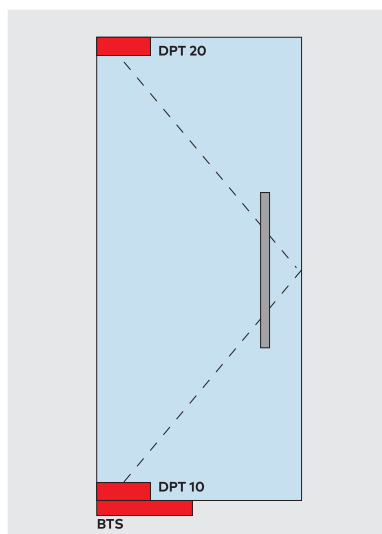
Max. door weight : 120 kg
 Max. door width : 1150 mm

For door weights up to 150 kg and
 widths up to 1400mm, TP/TA
 door rails should be used.

Glass Thickness:

D series patch fittings are suitable
 for 10mm and 12mm Glass.

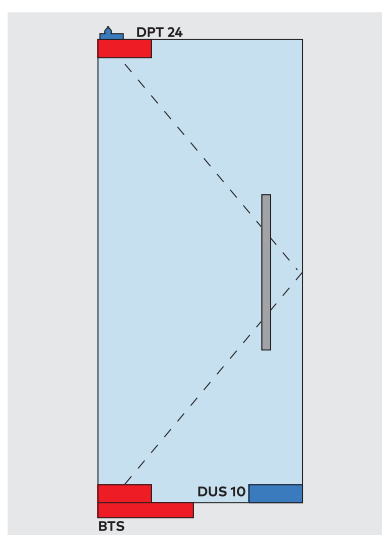
D-Series sets



Basic Set

Includes:
 DPT 10 - 1 Piece
 DPT 20 - 1 Piece
 BTS - 1 Piece

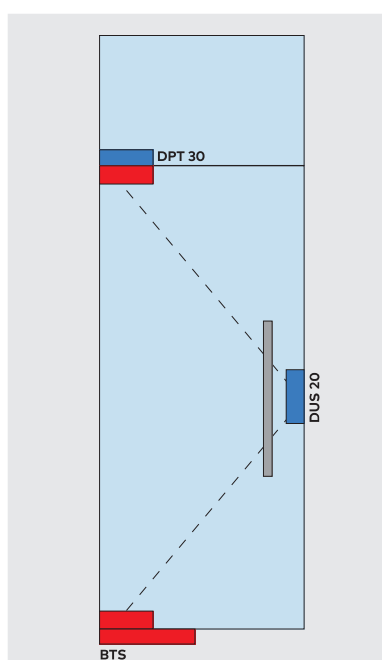
Basic Set with BTS 60 Art. No. 5507419 – PSS
 Basic Set with BTS 60 Art. No. 5507418 – SSS
 Basic Set with BTS 65 Art. No. 5507732 – PSS
 Basic Set with BTS 65 Art. No. 5507733 – SSS



Set A

Includes:
 Basic Set - 1 Set
 DPT 24 - 1 Piece
 DUS 10 - 1 Piece (with cylinder)

Set A with BTS 60 Art. No. 5507505 – PSS
 Set A with BTS 60 Art. No. 5507506 – SSS
 Set A with BTS 65 Art. No. 5507724 – PSS
 Set A with BTS 65 Art. No. 5507725 – SSS

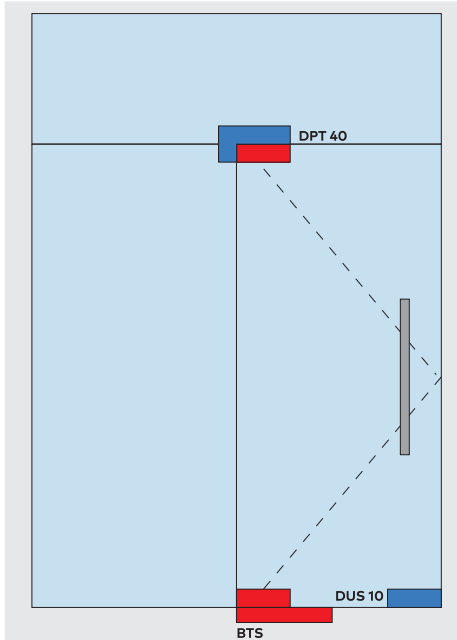


Set B

Includes:
 Basic Set - 1 Set
 DPT 30 - 1 Piece
 DUS 20 - 1 Piece (with cylinder)

Set B with BTS 60 Art. No. 5507507 – PSS
 Set B with BTS 60 Art. No. 5507508 – SSS
 Set B with BTS 65 Art. No. 5507726 – PSS
 Set B with BTS 65 Art. No. 5507727 – SSS

D-Series sets



Set C

Includes:

Basic Set - 1Set

DPT 40 - 1 Piece

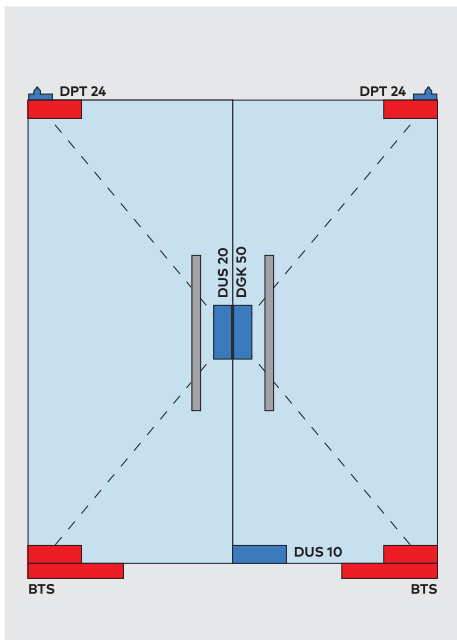
DUS 10 - 1 Piece (with cylinder)

Set C with BTS 60 Art. No. 5507509 – PSS

Set C with BTS 60 Art. No. 5507510 – SSS

Set C with BTS 65 Art. No. 5507728 – PSS

Set C with BTS 65 Art. No. 5507729 – SSS



Set D

Includes:

Basic Set - 1 Set

DPT 24 - 2 Piece

DUS 10 - 1 Piece (with cylinder)

DUS 20 - 1 Piece (with cylinder)

DGK 50 - 1 Piece

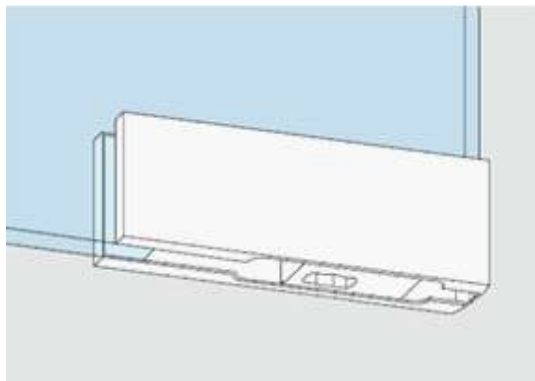
Set D with BTS 60 Art. No. 5507511 – PSS

Set D with BTS 60 Art. No. 5507512 – SSS

Set D with BTS 65 Art. No. 5507730 – PSS

Set D with BTS 65 Art. No. 5507731 – SSS

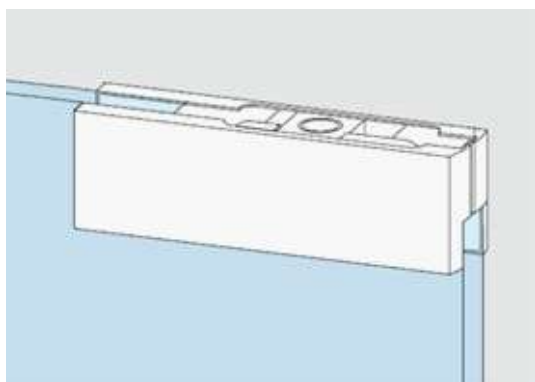
Patch Fittings



DPT 10 bottom patch
with insert for DORMA floor
spring or round pivot

Weight: 0.580 kg

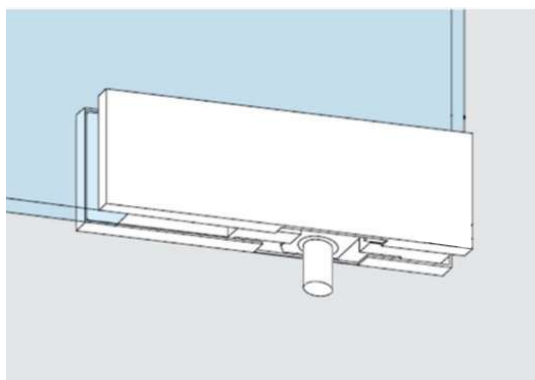
Art. No. 5507407 – PSS
Art. No. 5507399 – SSS



DPT 20 top patch
with insert for top pivot

Weight: 0.566 kg

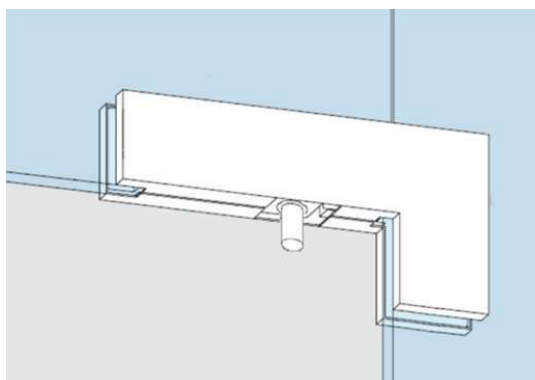
Art. No. 5507406 – PSS
Art. No. 5507398 – SSS



DPT 30 overpanel patch
with pivot

Weight: 0.616 kg

Art. No. 5507408 – PSS
Art. No. 5507400 – SSS

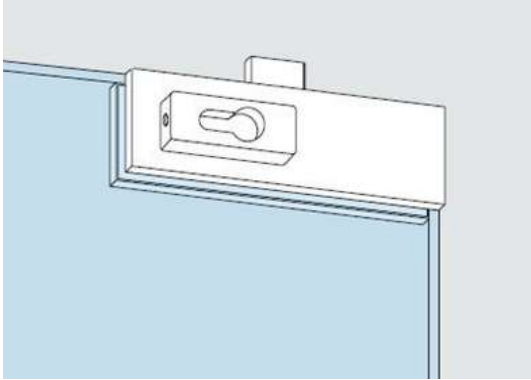


**DPT 40 overpanel/sidepanel
patch** with pivot

Weight: 1.036 kg

Art. No. 5507409 – PSS
Art. No. 5507401 – SSS

Patch Fittings



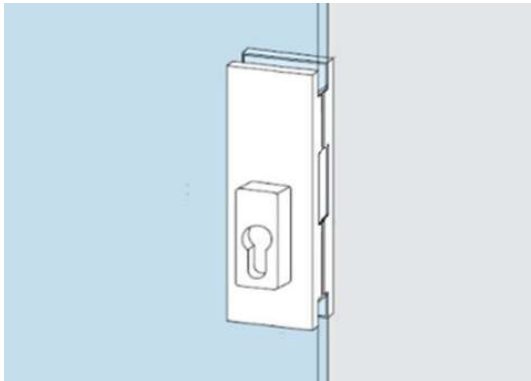
DUS 10 Corner Lock

with Europrofile cylinder, single throw, bolt projection 15mm, with security rosettes on both sides

Art. No. 5507410 – PSS

Art. No. 5507402 – SSS

Weight: 0.798 kg



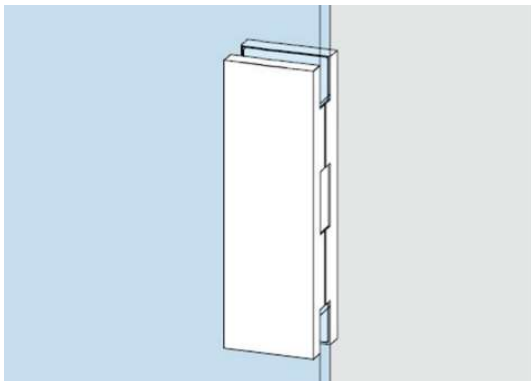
DUS 20 Centre Lock

with Europrofile cylinder, single throw, bolt projection 15mm, with security rosettes on both sides.

Art. No. 5507411 – PSS

Art. No. 5507403 – SSS

Weight: 0.738 kg



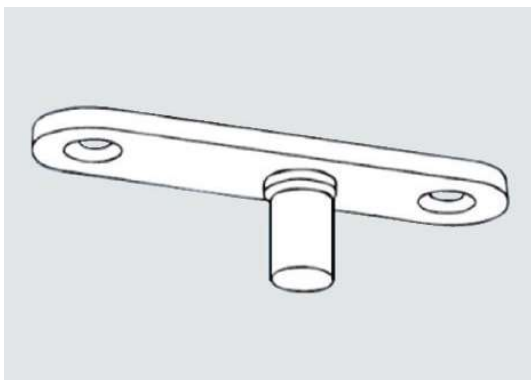
DGK 50 Strike Box

prepared for keeping DUS 20 bolt.

Art. No. 5507412 – PSS

Art. No. 5507404 – SSS

Weight: 0.408 kg

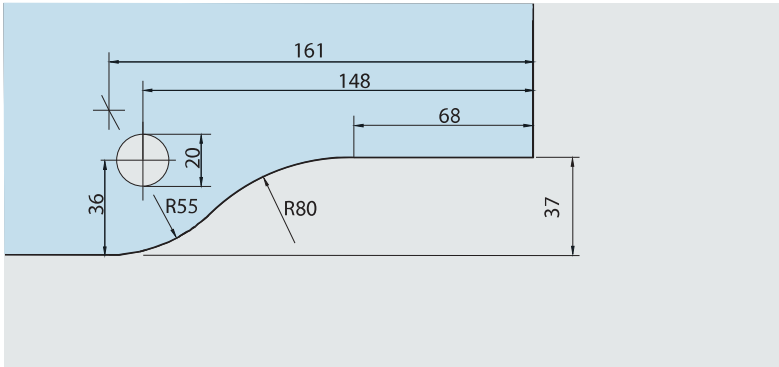


DPT 24 Top Pivot

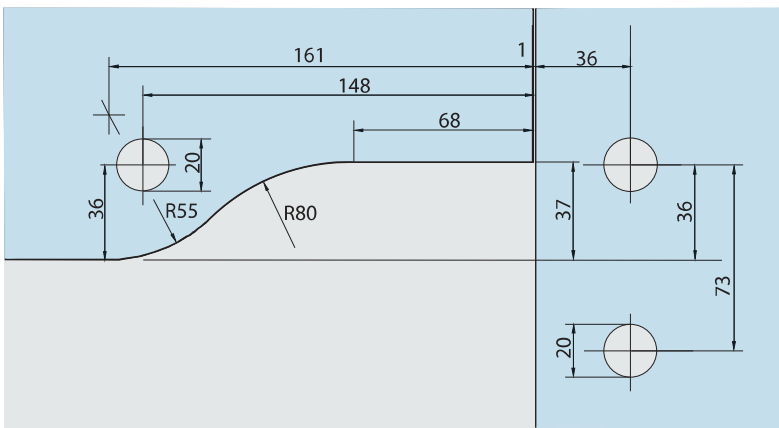
Art. No. 5507405 – SSS

Weight: 0.107kg

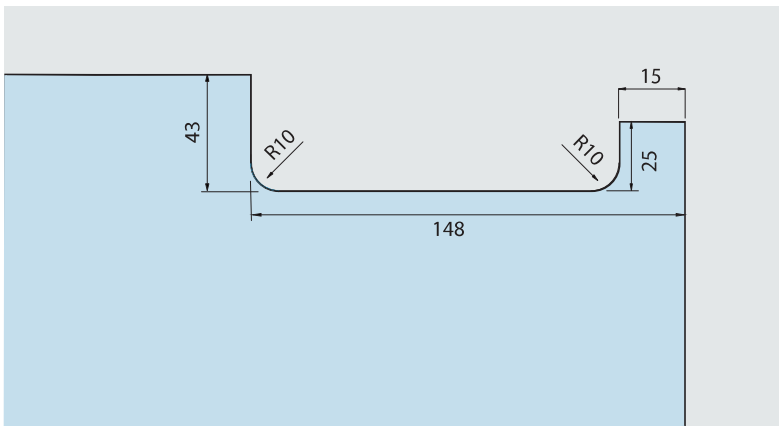
Glass Preparation



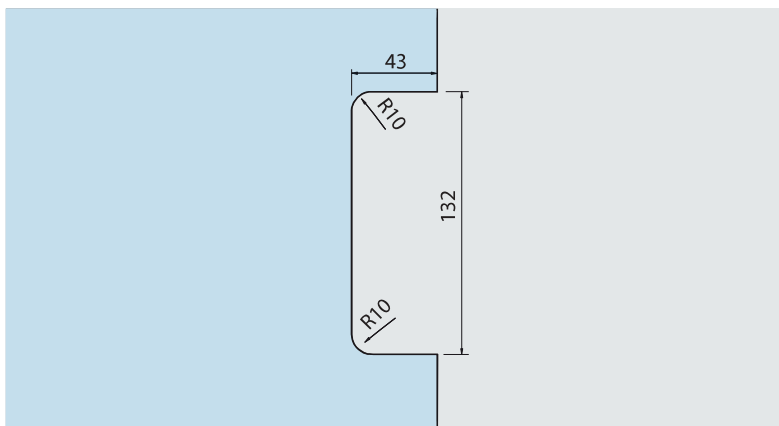
DPT 10 / 20 / 30



DPT40



DUS10



DUS20 / DGK50

Pull handles

Suitable for Glass thickness : 8, 10 and 12 mm
 Handle Diameter : 32 mm
 Fixing : Back to back
 Material Grade : SS316
 Application: Swing Door, Sliding Door and Handrail.



H-TYPE
(Standard)



D-TYPE

Dimension	No of Fixing	Finish	Article No. H Type	Article No. D Type
450mm	2	PSS	5507413 (Standard)	5507416
	2	SSS	5505538 (Standard)	5505541
900mm	2	PSS	5507414	5507417
	2	SSS	5505539	5505542
1800mm	3	PSS	5507415	-
	3	SSS	5505540	-

Middle East and Africa

head office :+971 4 8020 400

United Arab Emirates

Dubai office :+971 4 388 1419

Abu Dhabi office :+971 2 641 9860

Saudi Arabia

Riyadh office :+966 1 464 5765

Damam office :+966 3 864 8261

Jeddah office :+966 2 606 8155

Kuwait office :+965 2471 6584

Qatar office :+974 4 451 7372

South Africa

office :+27 11 510 1500

Headquarters

dorma+kaba Group
Hofwisenstrasse 24 8153
Rumlang, Switzerland.