

# Pure

## Pure – Lever handle sets for standard applications on timber and narrow stile doors

Sophisticated design and functional quality are the characteristics of the Pure range. The fittings excel in terms of both their technology and operating reliability.

Manufactured from high-grade materials and carefully crafted, Pure door furniture satisfies exacting demands with respect to stability, safety and corrosion resistance. The Pure range includes the most popular models, all of which are right or left sprung in order to return the lever handle to the horizontal position.

Lever handle furniture from the Pure range offers high quality at an attractive price. The hardware comes as complete sets for timber doors or as half sets for narrow stile doors. The Pure range is suitable for standard national and international applications, e.g. in the private homes segment or on interior doors in office buildings.

**5**  
YEARS WARRANTY  
ON ALL PRODUCTS  
FEATURING PURE  
TECHNOLOGY\*\*

### Benefits at a glance

#### For the trade

- 5 years warranty on all products in the Pure series\*\*
- Affordable door furniture featuring the most popular lever handle models
- Packaging of complete sets for easy stocking

#### For the installer

- Approved to EN 1906, category of use grade 3 and maximum corrosion resistance grade 4
- Just one screw length for door thicknesses of 38–56 mm
- All models are spring assisted
- dormakaba quality for long service life

### Materials and finishes

#### Stainless steel fittings, S/S

Door furniture manufactured from stainless steel offers the advantages of not only high corrosion resistance but also exemplary resistance to mechanical wear and tear.

Available in  
satin

Pure data and features		Furniture sets for	
		Timber doors	Narrow stile doors
Spring assisted		●	●
Securely bushed		●	●
category of use	EN 1906	3	3
Approved for doors on escape routes	EN 179:2008	–	–
Tested to	EN 1634-1*	●	●
Approved for fire- and smoke check doors	DIN 18273	–	–
5 years warranty**		●	●
Steel mountings		●	●
Steel mountings with support lugs		●	–
Door thicknesses in mm		38 – 56	
Same screw length for full thickness range		●	
Back-to-back fixing		●	–
Square section spindle for lever handle		8 mm	8 mm
Lock type preparation	PZ (Europrofile cylinder)	●	●
	BB (warded lever)	●	–
	UN (Latchplate)	●	●
Sets	Standard sets	●	●
	Entrance sets	●	●
	WC sets	●	–
Material	Stainless steel, satin	●	●
	Aluminium F1 silver anodised	●	●

● yes ○ optional – no

\* When used with fire and smoke check doors, additional national regulations must be satisfied (where applicable).

\*\* Subject to our current conditions of warranty and guarantee available at [www.dorma.com](http://www.dorma.com). Copies will also be sent out on request.

#### Anodised aluminium fittings, AL

Colour anodised on the basis on special formulations, Pure aluminium fittings exhibit high resistance, uniform oxide layers for effective protection against weathering and wear.

Available in  
F1 silver anodised

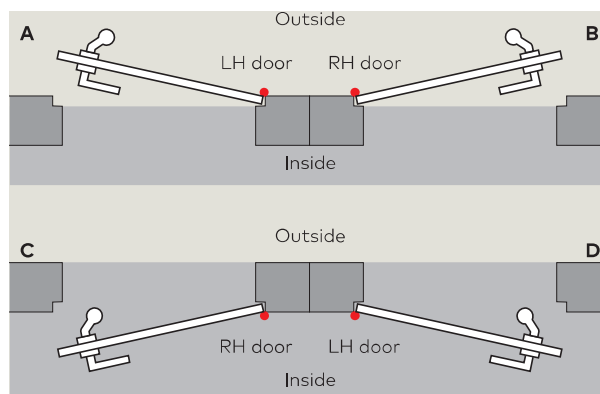
## Classification code to DIN EN 1906 for the dormakaba Pure range

	3	7	-	B	1	4	O	A	
<p><b>Category of use</b>  <b>Grade 1:</b> Medium frequency of use by people with a high incentive to exercise care and with a small chance of misuse, e.g. internal residential doors.  <b>Grade 2:</b> Medium frequency of use by people with some incentive to exercise care but where there is some chance of misuse, e.g. internal office doors.  <b>Grade 3: High frequency of use by public or others with little incentive to exercise care and with a high chance of misuse, e.g. public office doors.</b>  <b>Grade 4:</b> High frequency of use on doors which are subject to frequent violent usage, e.g. football stadiums, offshore installations (oil rigs), barracks, public toilets, etc.</p> <p><b>Durability</b>  <b>Grade 6:</b> medium frequency of use 100,000 cycles  <b>Grade 7: high frequency of use 200,000 cycles</b></p> <p><b>Door mass</b>                      No classification</p> <p><b>Fire resistance</b>  <b>Grade 0:</b> no performance determined  <b>Grade A:</b> for use on smoke-control doors  <b>Grade A1:</b> for use on smoke-control doors, tested with 200 000 cycles on a test door  <b>Grade B: for use on smoke-control and fire-resistant doors</b>  <b>Grade B1:</b> for use on smoke-control and fire-resistant doors, tested with 200 000 cycles on a test door  <b>Grade C:</b> for use on smoke-control and fire-resistant doors with requirements for fire protection inlays in backplate, rose and escutcheon  <b>Grade C1:</b> for use on smoke-control and fire-resistant doors with requirements for fire protection inlays in backplate, rose and escutcheon, tested with 200 000 cycles on a test door  <b>Grade D:</b> for use on smoke-control and fire-resistant doors with requirements for special core in the handle/knob  <b>Grade D1:</b> for use on smoke-control and fire-resistant doors with requirements for special core in the handle/knob, tested with 200 000 cycles on a test door</p>									<p><b>Type of operation</b>  <b>A = spring assisted furniture</b>                      B = spring loaded furniture                      U = unsprung furniture</p> <p><b>Security</b>  <b>0 = no performance determined*</b>                      1 = mild burglary resistance                      2 = moderate burglary resistance                      3 = high burglary resistance                      4 = extra high burglary resistance</p> <p><b>Corrosion resistance</b>                      0 = no performance determined                      1 = mild resistance                      2 = moderate resistance                      3 = high resistance  <b>4 = very high resistance</b>                      5 = extremely high resistance</p> <p><b>Safety</b>                      0 = normal use  <b>1 = safety applications</b></p>
									<p>*For anti-tamper door furniture, see our SI range</p>

## Handing data for entrance door sets

### Lever handle/knob combination set, RH

Inside:  
 Lever handle points to the right  
 Outside:  
 Knob points to the left



### Lever handle/knob combination set, LH

Inside:  
 Lever handle points to the left  
 Outside:  
 Knob points to the right

### Lever handle/knob combination set, RH

Inside:  
 Lever handle points to the right  
 Outside:  
 Knob points to the left

### Lever handle/knob combination set, LH

Inside:  
 Lever handle points to the left  
 Outside:  
 Knob points to the right

### Pure lever handle range for timber doors



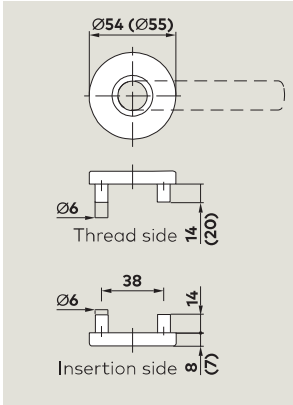
### Pure lever handle range for narrow stile doors



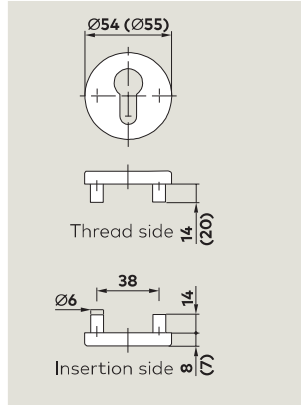
- Stainless steel
- Aluminium

# Rose and backplate dimensions

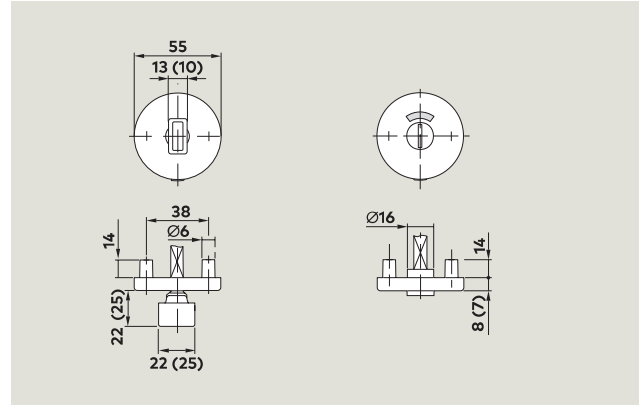
## Round rose dimensions



6501

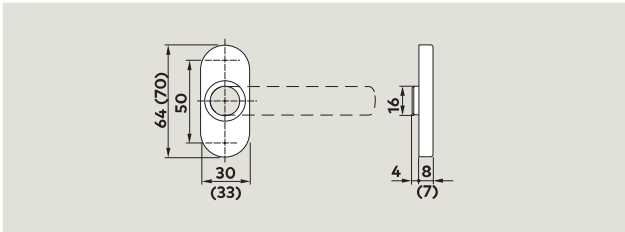


6612

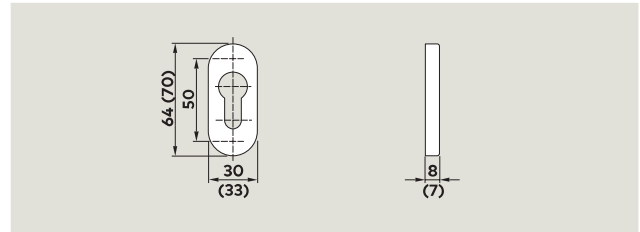


7122

## Oval rose dimensions

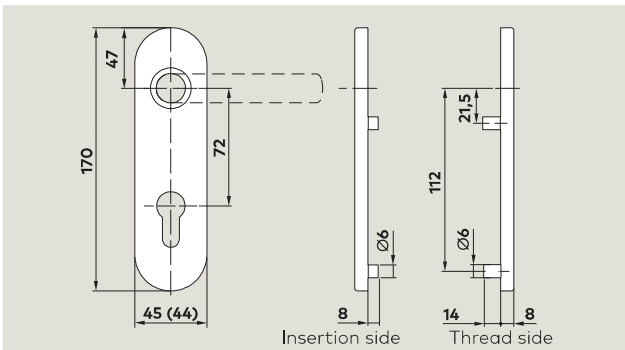


6621

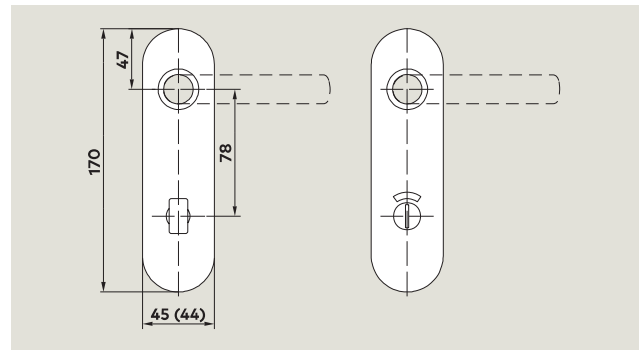


6679

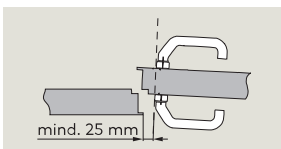
## Backplate dimensions



7051 K



7051 K WC



### Please note:

A minimum clearance of 25 mm must be maintained between the lever handle and the frame stop.

### For timber doors:

Supplied exclusively as complete set incl. fixing material.

### For narrow stile doors:

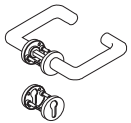
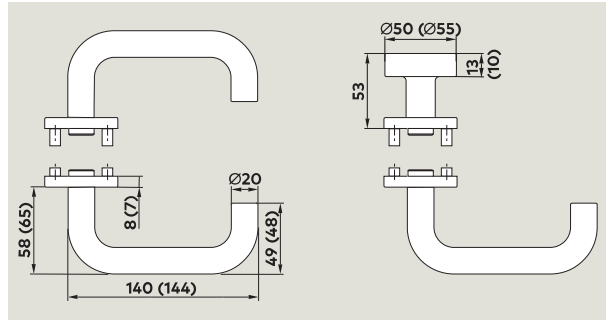
Supplied exclusively as half set with loose spindle.

Other lock preparations and follower-to-keyway centres on application.

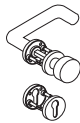
( ) = Dimensions for Alu

## Pure door furniture for timber doors

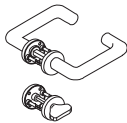
### Pure 8100



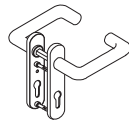
Pure 8100/  
6501/6612



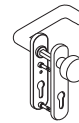
Pure 8100/  
6501/3020/6612



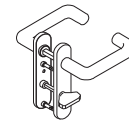
Pure 8100/  
6501/7122



Pure 8100/  
7051 K

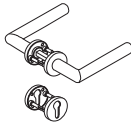
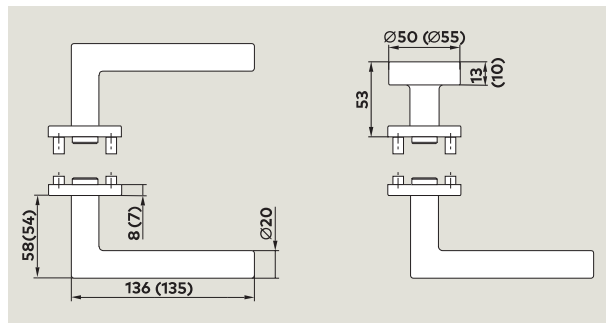


Pure 8100/  
7051 K/3020

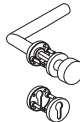


Pure 8100/  
7051 K WC

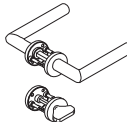
### Pure 8906



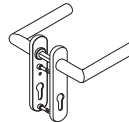
Pure 8906/  
6501/6612



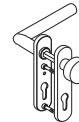
Pure 8906/  
6501/3020/6612



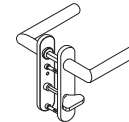
Pure 8906/  
6501/7122



Pure 8906/  
7051 K

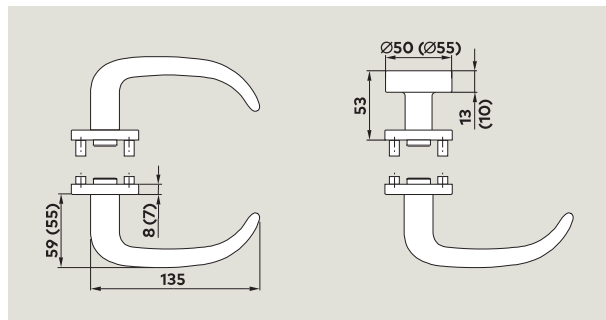


Pure 8906/  
7051 K/3020

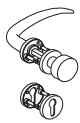


Pure 8906/  
7051 K WC

### Pure 8998



Pure 8998/  
6501/6612



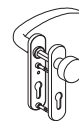
Pure 8998/  
6501/3020/6612



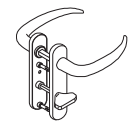
Pure 8998/  
6501/7122



Pure 8998/  
7051 K



Pure 8998/  
7051 K/3020

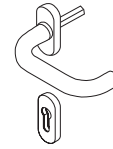
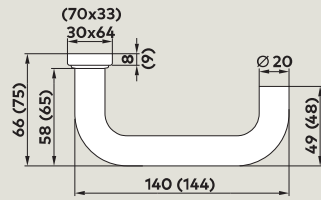


Pure 8998/  
7051 K WC

( ) = Dimensions for Alu

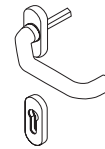
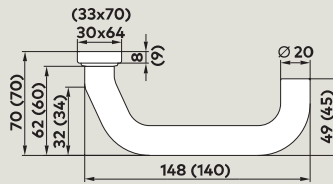
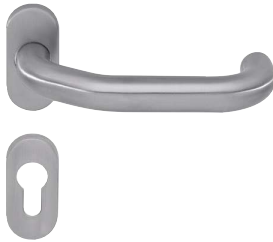
## Pure door furniture for narrow stile doors

Pure 8100



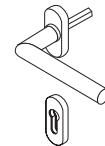
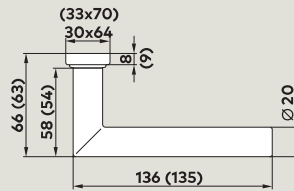
Pure 8100/6621/6679 PZ

Pure 8100V



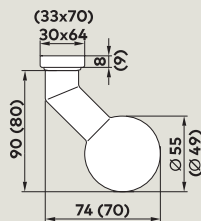
Pure 8100V/6621/6679 PZ

Pure 8906



Pure 8906/6621/6679 PZ

Pure 3548V



Pure 3548V/6679 PZ

( ) = Dimensions for Alu

■ Stainless steel

■ Aluminium



[www.dormakaba.com](http://www.dormakaba.com)

dormakaba Deutschland GmbH  
DORMA Platz 1  
58256 ENNEPETAL  
Germany  
T: +49 2333 793-0  
F: +49 2333 793-4950

WN 053 765 51532, 12/16, Pure, GB, x. XXX. xx/14  
Subject to change without notice